

TCORX
PROFESSIONAL LINE

INSTRUCTION



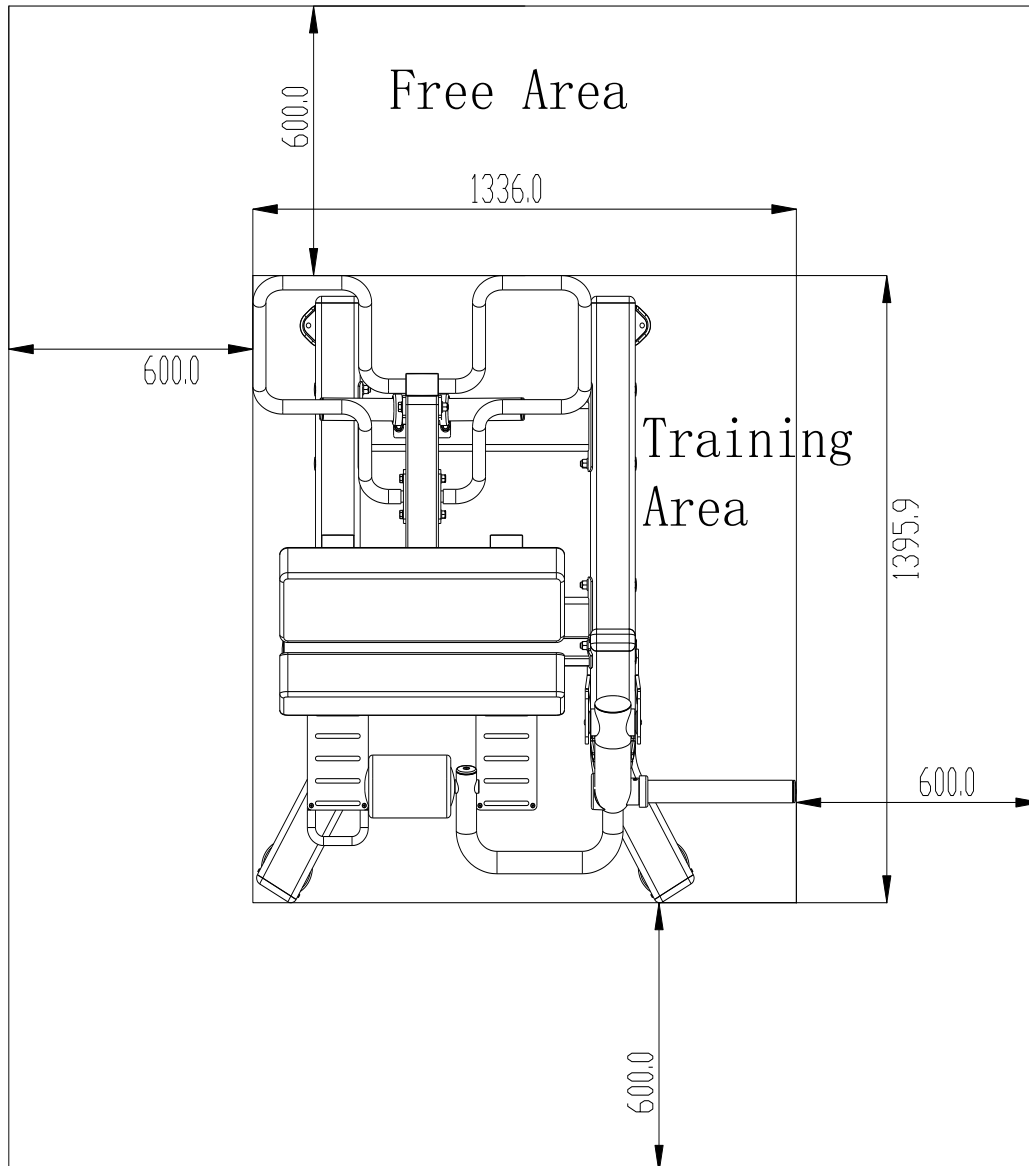
FWX5000



Cod : GRLDTOORXFWX5000

Rev : 00

Ed : 10/19



Specifications

Class: S

Maximum Wt. Capacity: 60 kg/132 IBS

Maximum User Weight: 135 kg/297 IBS

Product Total Surface: 1363*1218

Product Total Mass: 140 kg/308 IBS

Exploded diagram

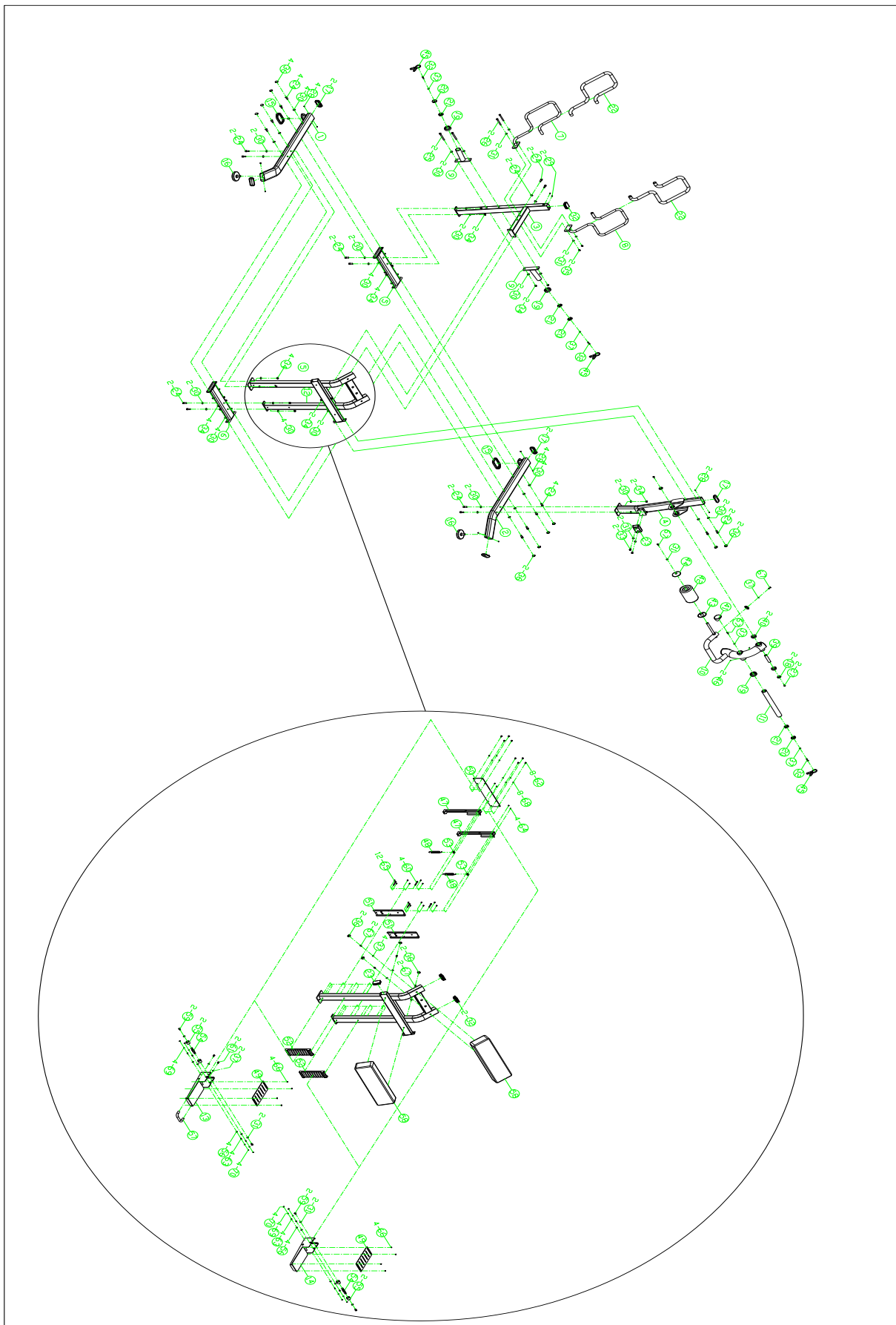
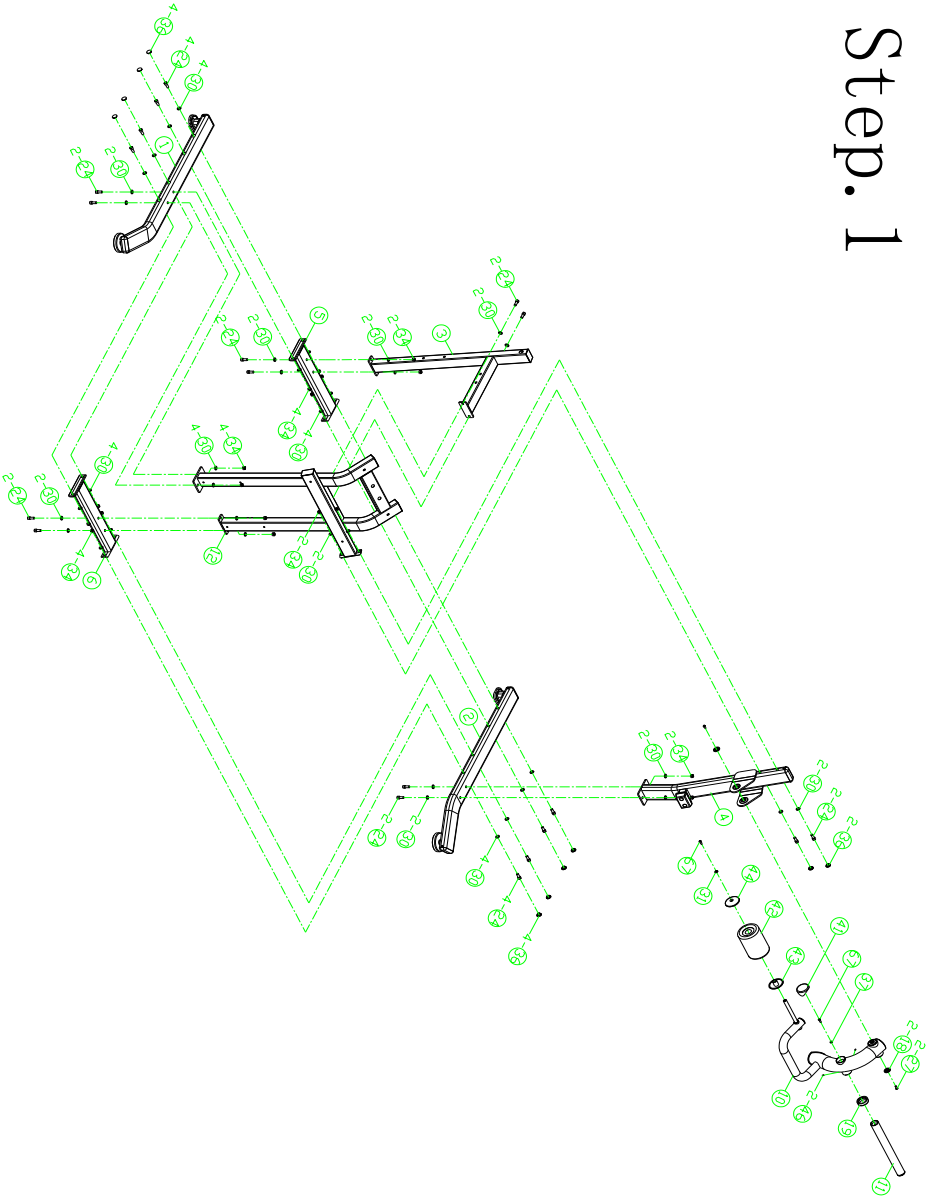


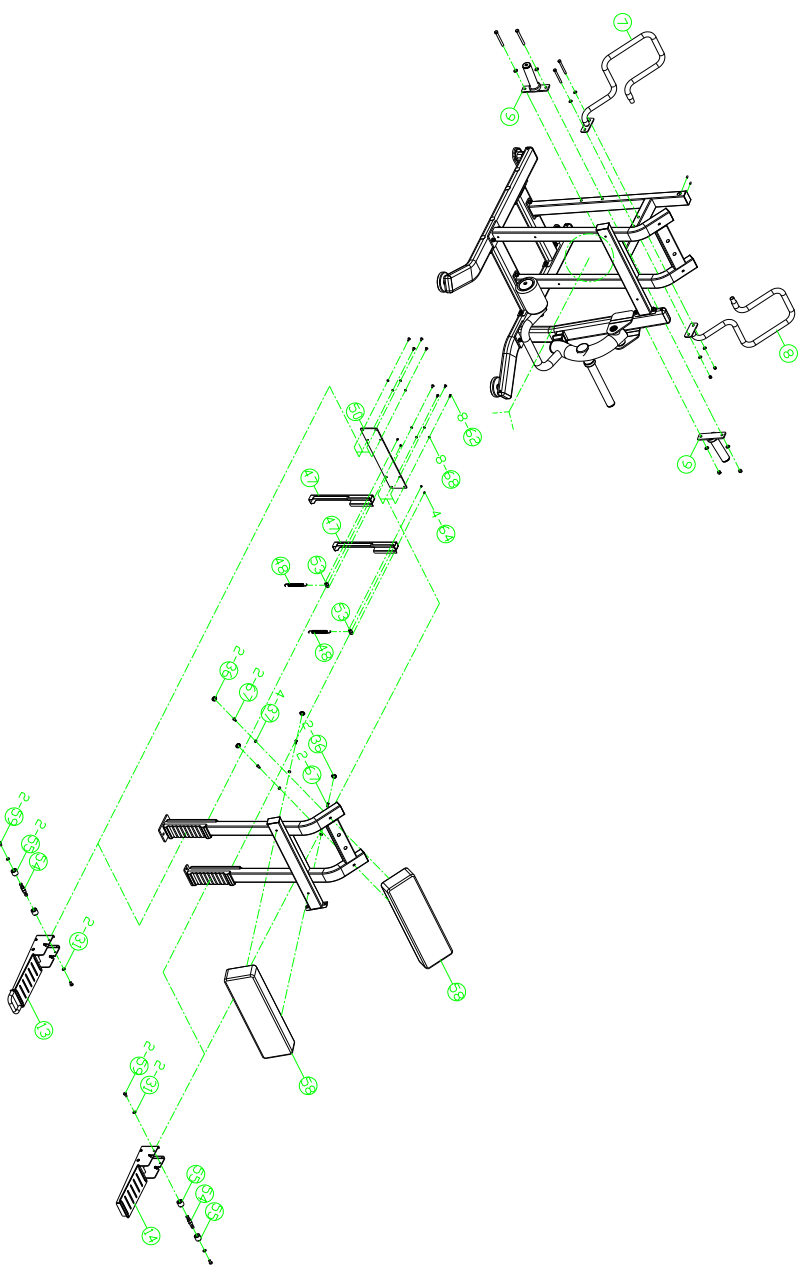
Illustration step

Step. 1



No.	Name	Spe	Qty
1	Left Floor Frame		1
2	Right Floor Frame		1
3	Back Stand Frame		1
4	Stand Frame		1
5	Floor Connect Frame-A		1
6	Floor Connect Frame-B		1
10	Movable Arm Frame		1
11	Barbell Hooks		1
12	Main Frame		1
18	Bearing Cap		2
19	Rubber Ring	50*70	1
24	Screw	M12*30L	20
27	Hexagon Socket Button Head Screw	M8*20L	2
30	Washer	M12	38
31	Washer	M10	1
34	Lock Nut	M12	18
36	Plug	φ25	10
37	Washer	M8	1
41	Tube Plug	φ50	1
42	Foam		1
43	Foam Cover		1
44	Foam Cover		1
46	JackscREW	M8*6L	2
67	Hexagon Socket Button Head Screw	M8*25L	2

Step. 2



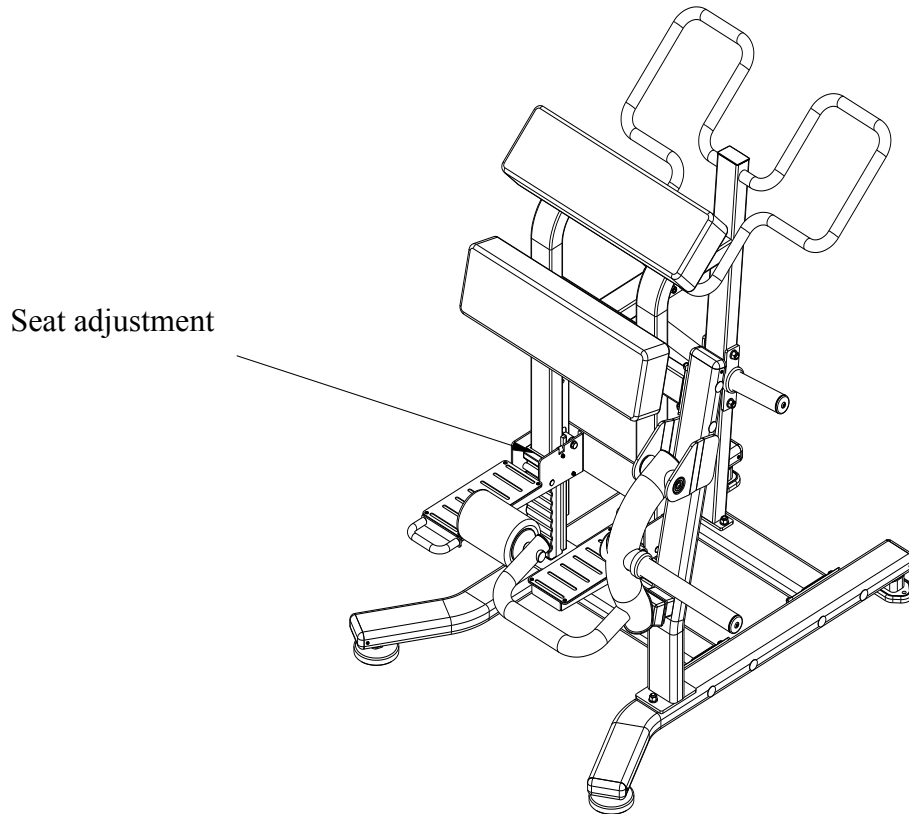
No.	Name	Spe	Qty
7	Left handle Frame		1
8	Right handle Frame		1
9	Barbell Hooks		2
13	Left Foot Pad Frame		1
14	Right Foot Pad Frame		1
25	Hexagon Bolt	M12*115L	2
26	Hexagon Bolt	M12*105L	2
29	Jackscrow	M8*15L	2
36	Plug	∅2.5	4
37	Washer	M8	4
47	Spring Cover		2
48	Black Spring		2
50	Plastic Sheet		1
62	Cross head Self-tapping Screw	M6*15L	8
64	Cross head Self-tapping Screw	M5*8L	4
67	Hexagon Socket Button head Screw	M8*25L	2
68	Washer	M6	8

Adjustment Instructions

Adjustment Instructions of Functional Trainer

Adjustment of Seat

Hold the cushion and adjust to the right position





GARLANDO SPA
Via Regione Piemonte, 32 - Zona Industriale D1
15068 - Pozzolo Formigaro (AL) - Italy
www.toorx.it - info@toorx.it