

TOORX
FITNESS IN MOTION

INSTRUCTION



CHRONO PRO  LINE

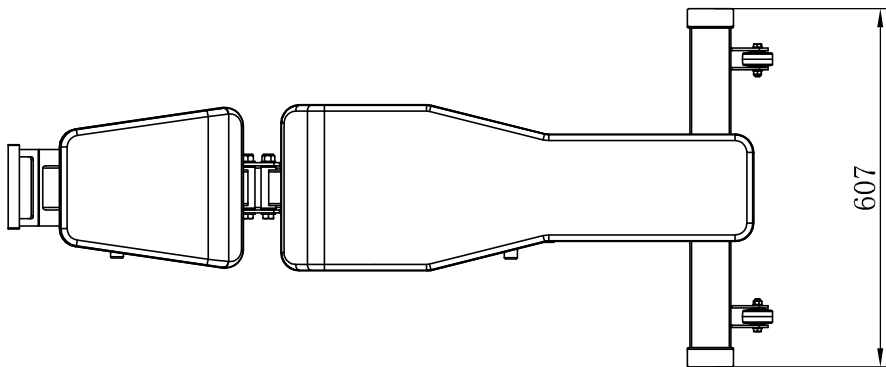
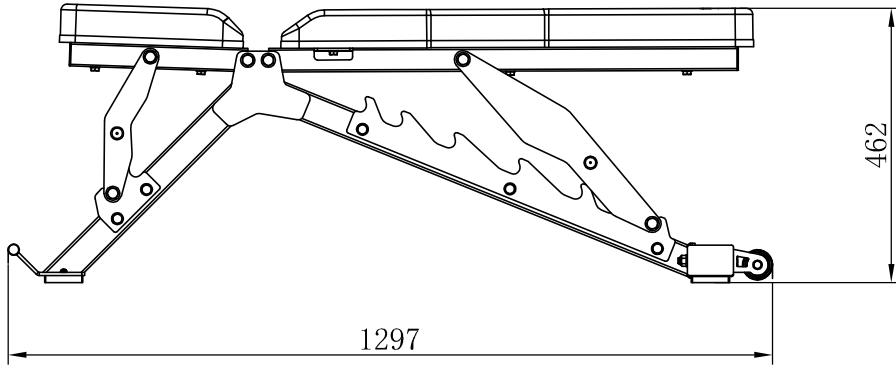
WBX400

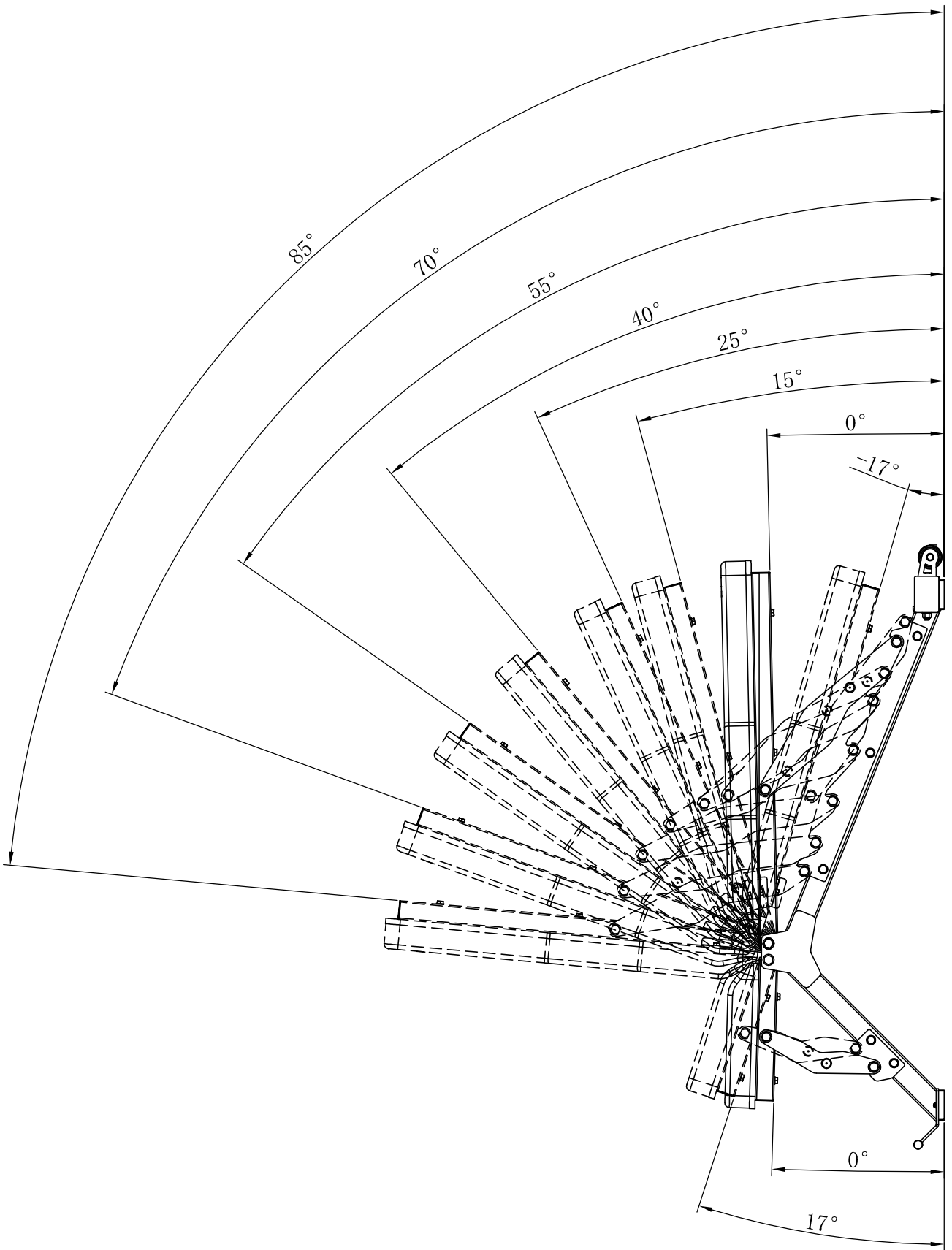


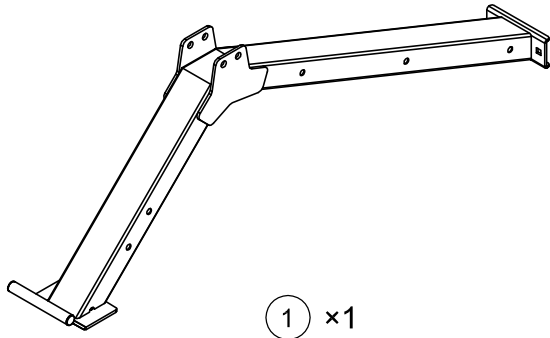
Cod : GRLDTOORXWBX400

Rev:00

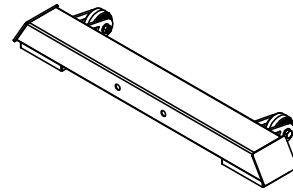
ED : 04/23



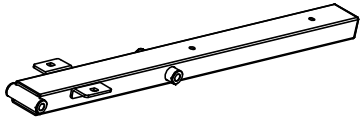




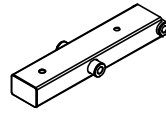
① x1



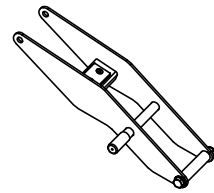
② x1



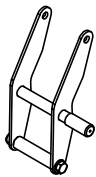
④ x1



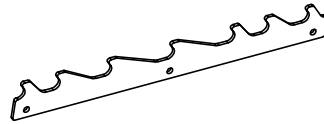
⑤ x1



⑥ x1



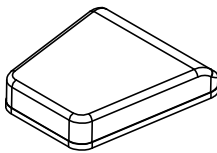
⑦ x1



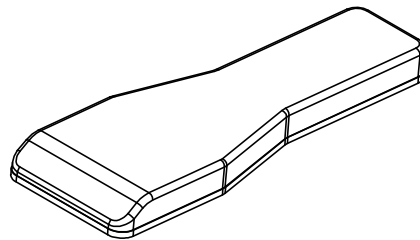
⑧ x2



⑨ x2



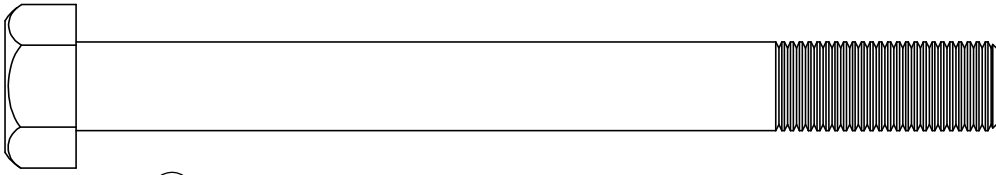
⑩ x1



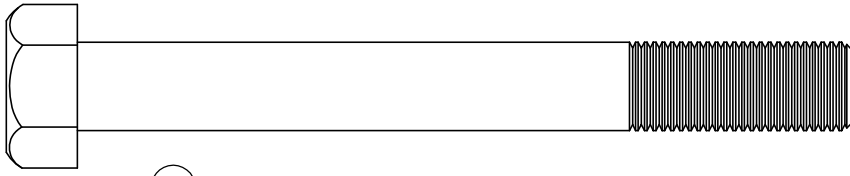
⑪ x1



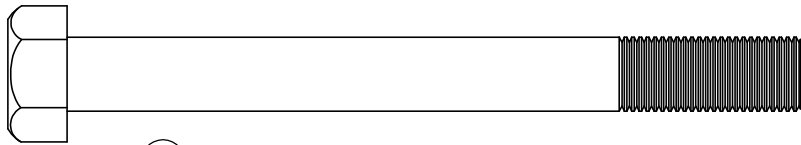
⑮ x1



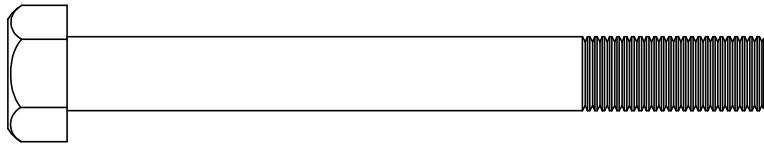
②0 × 2



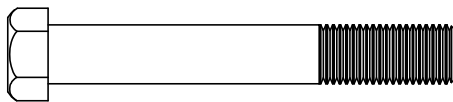
②1 × 2



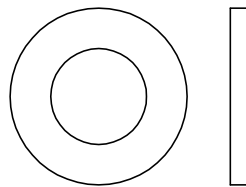
②2 × 5



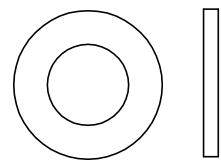
②3 × 2



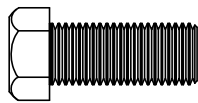
②4 × 4



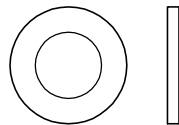
②9 × 8



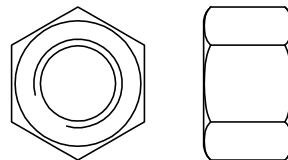
③0 × 14



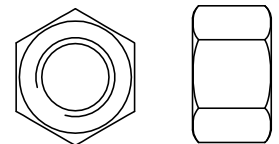
②6 × 2



③1 × 6

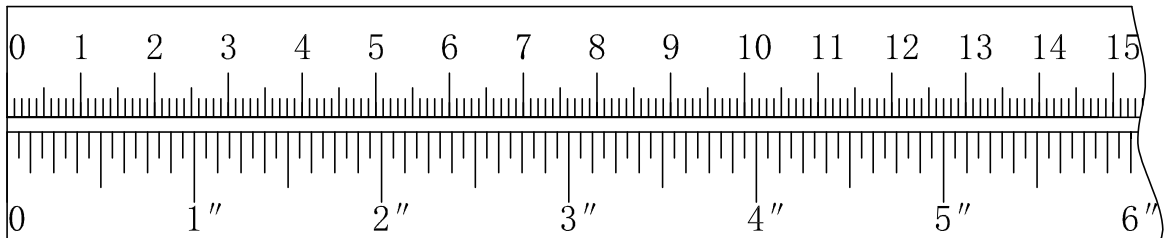


③2 × 4

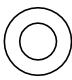





③3 × 7

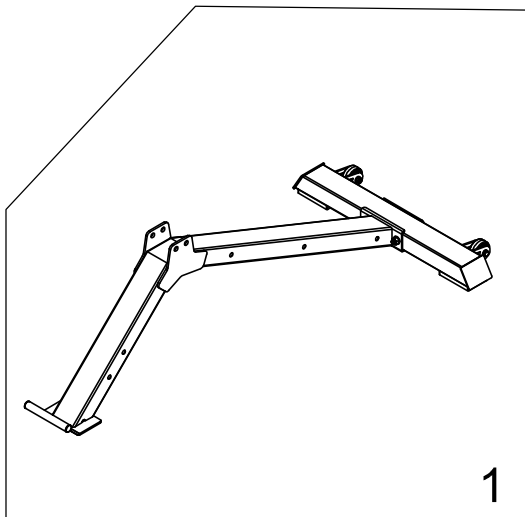
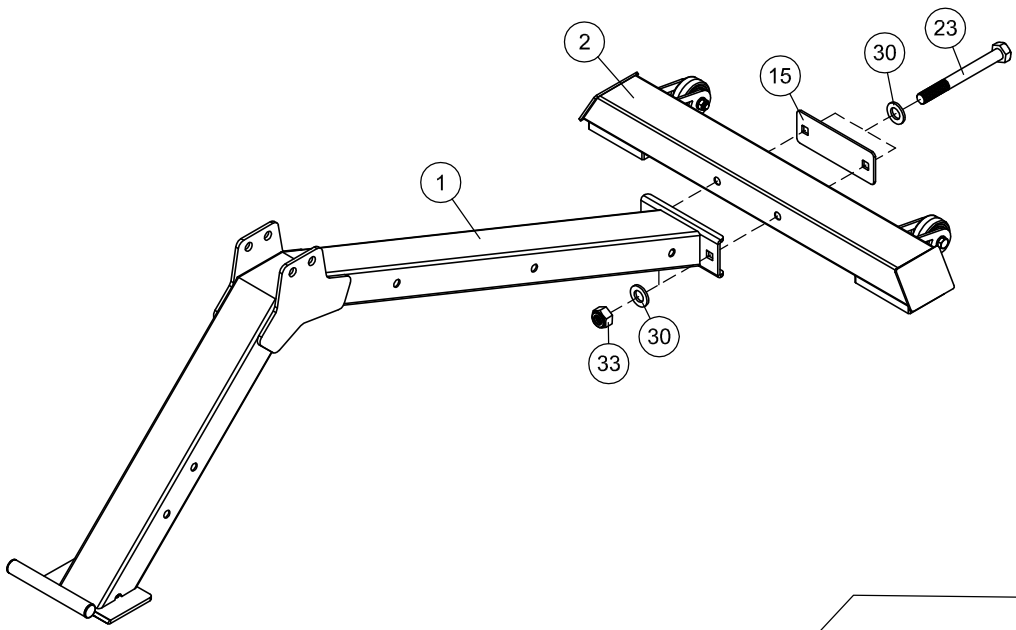
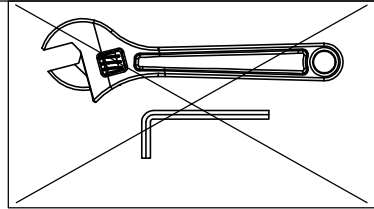
mm



23  × 2 M10 × 95mm


30   × 4 Φ10

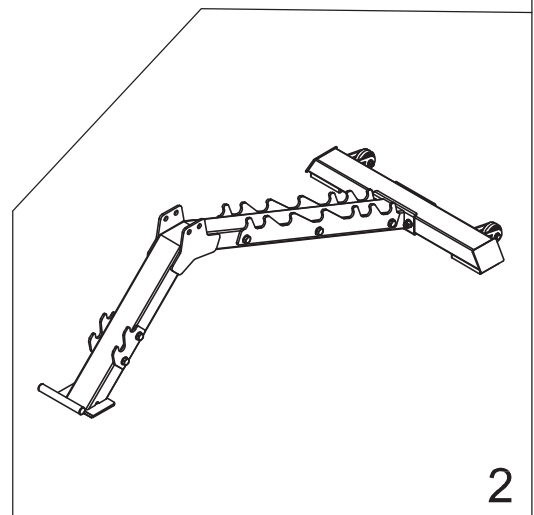
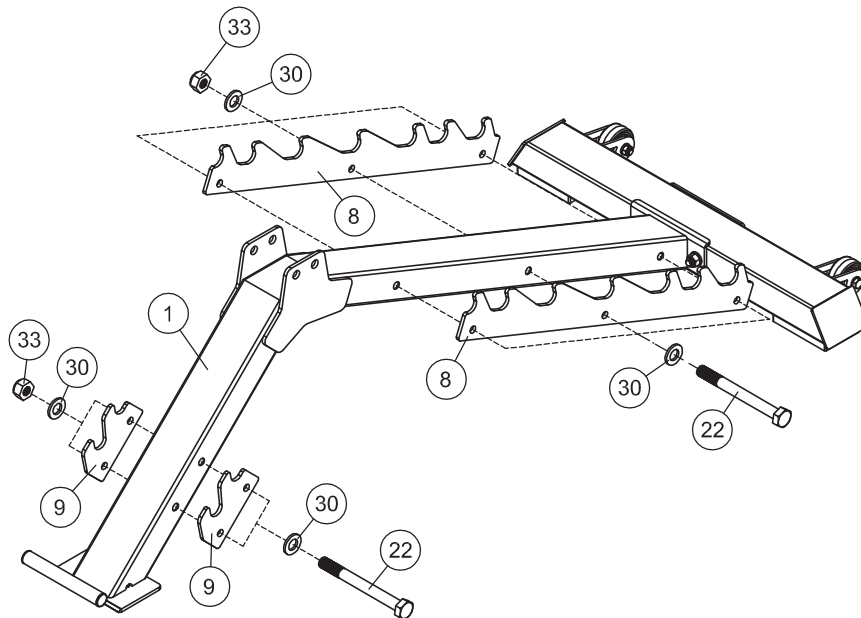
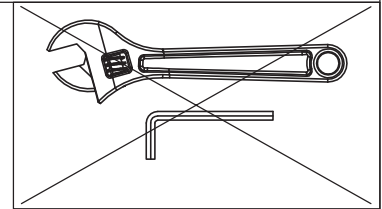
33   × 2 M10



22  × 5 M10 × 100mm

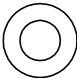
30  × 10 Φ10



33  × 5 M10

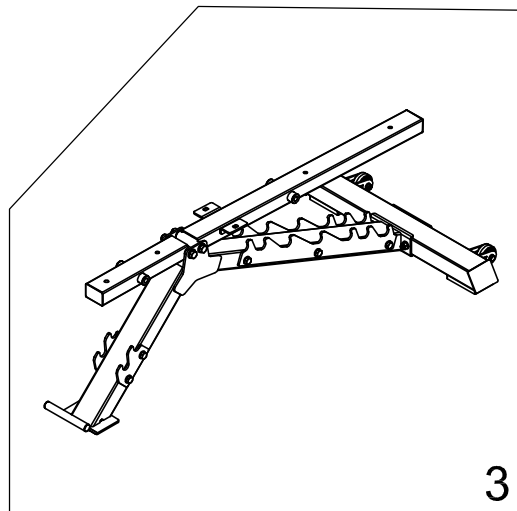
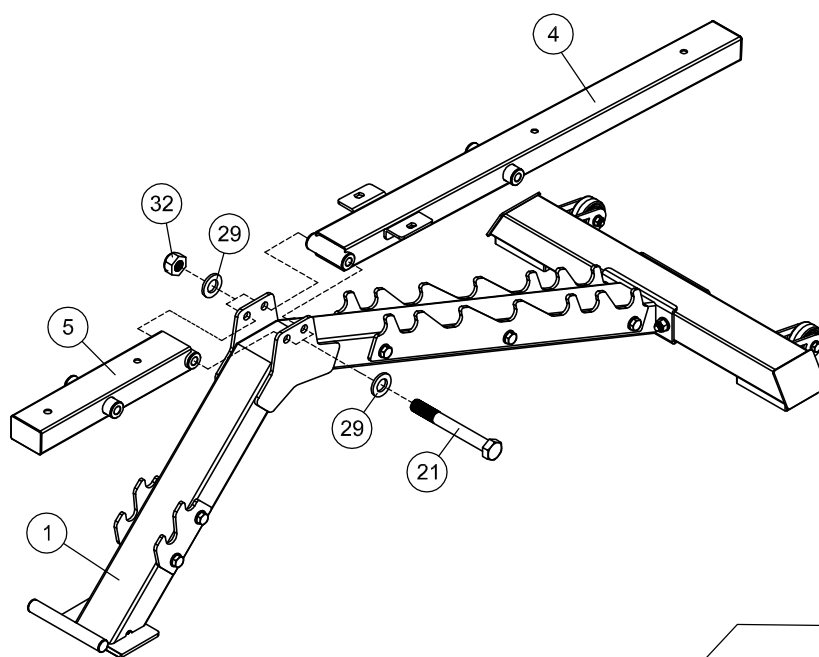
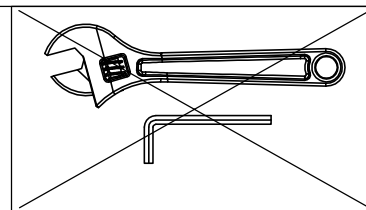


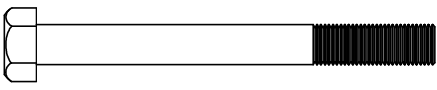
2

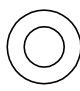

21  × 2 M12 × 105mm


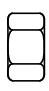
29   × 4 Φ12

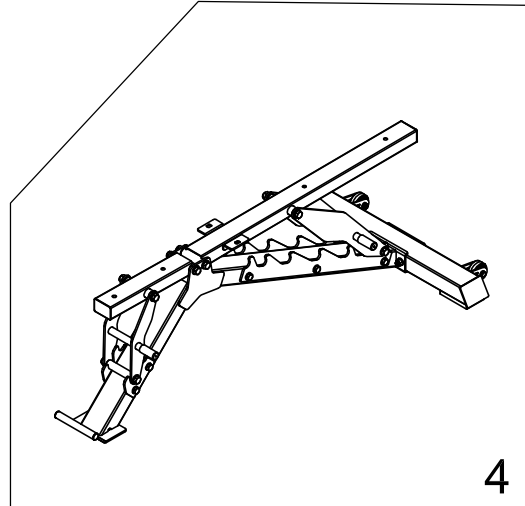
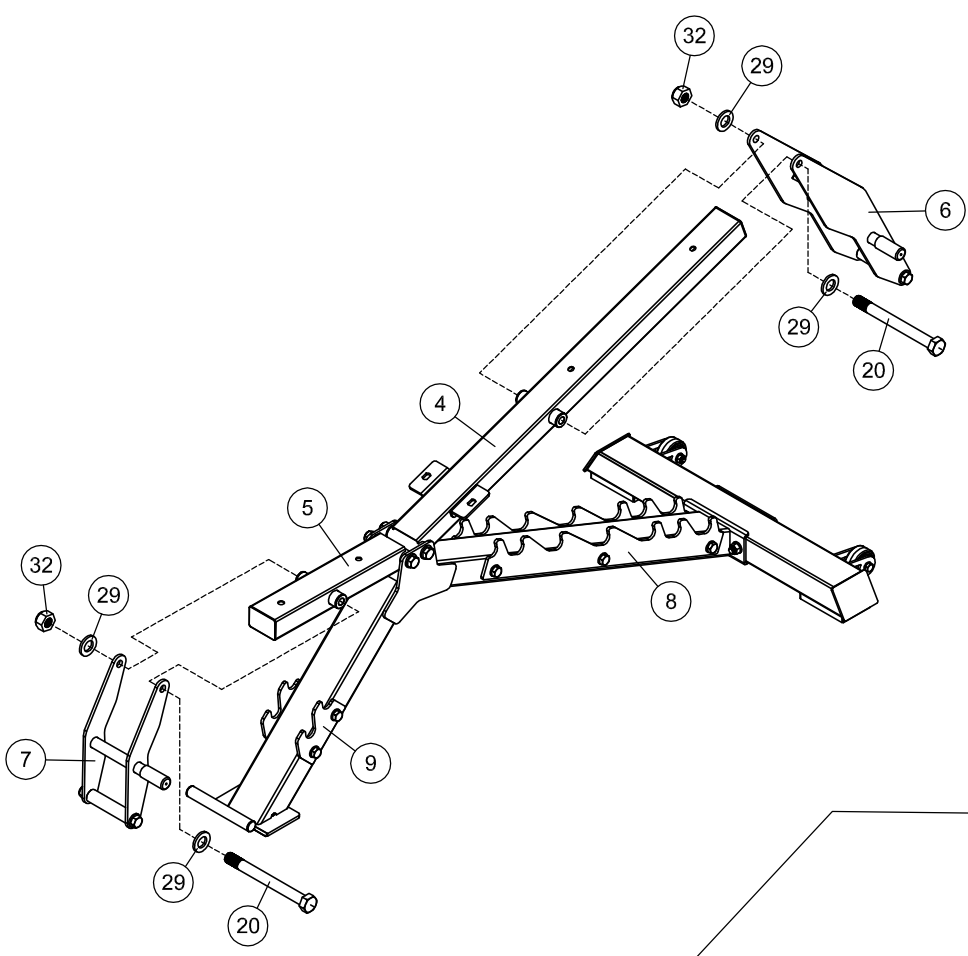
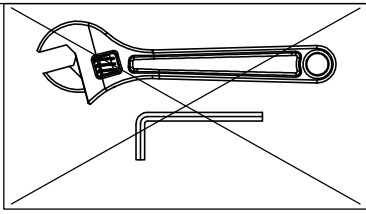
32   × 2 M12




20  × 2 M12 × 125mm

29   × 4 Φ12

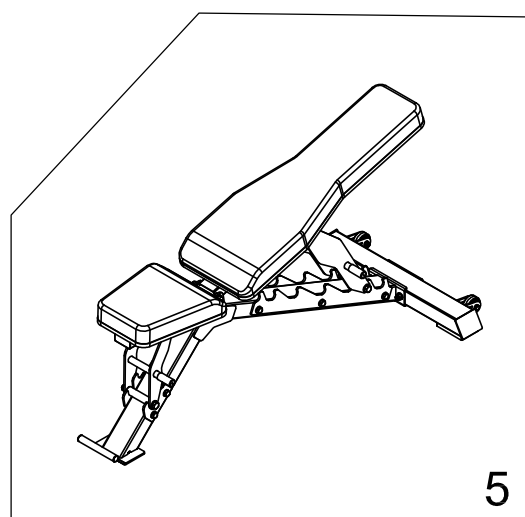
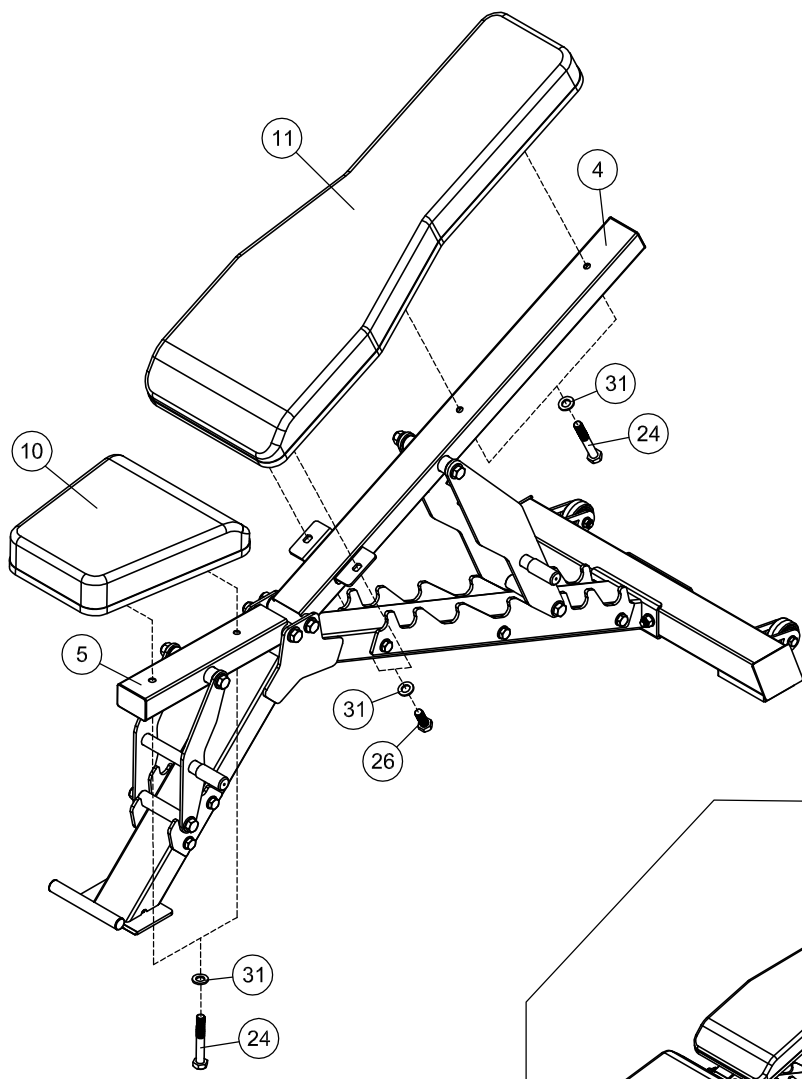
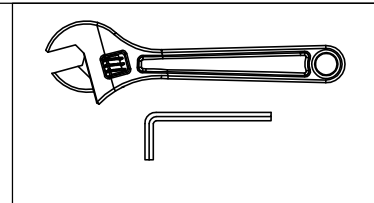
32   × 2 M12

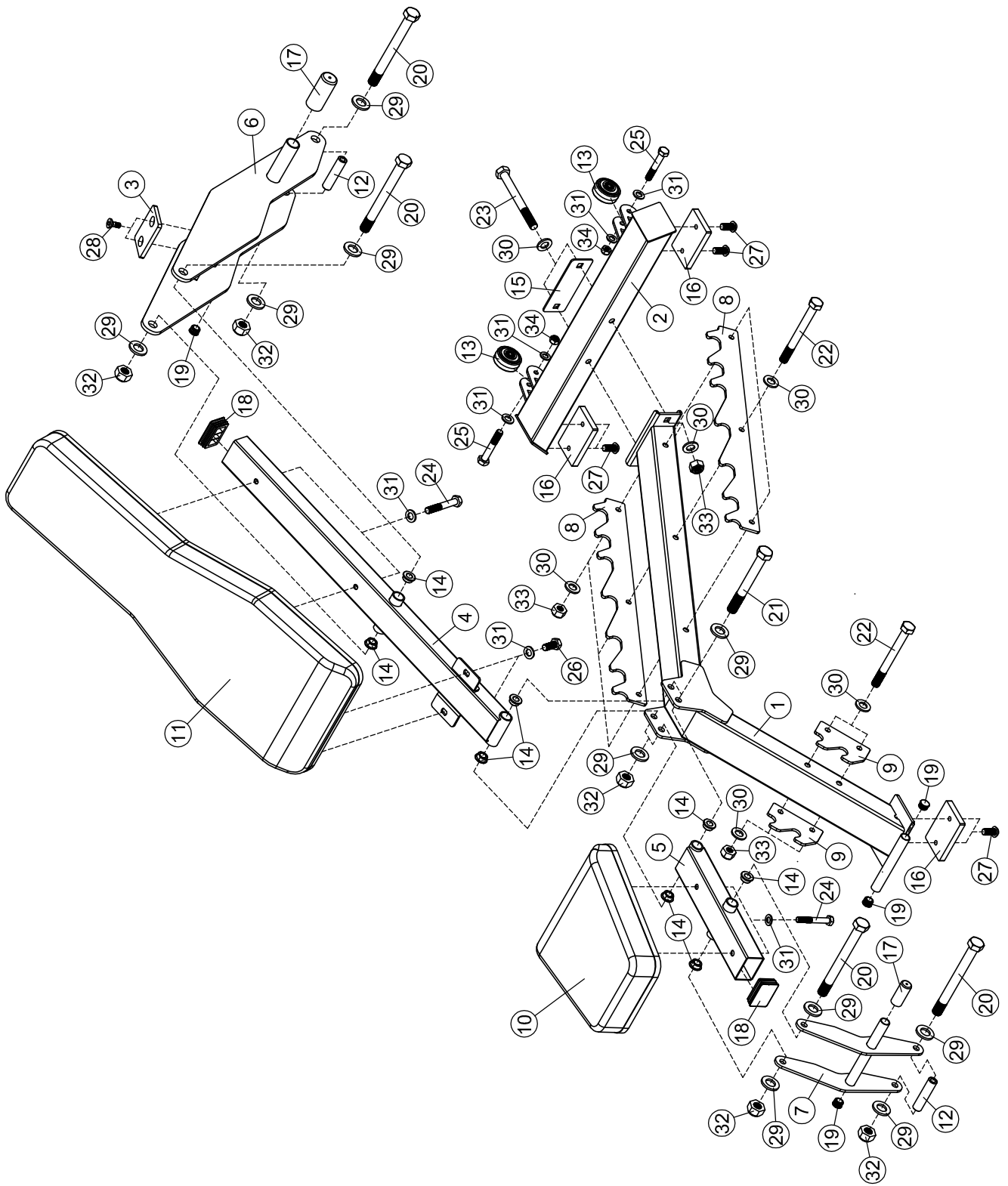


②④  × 4 M8 × 55mm

②⑥  × 2 M8 × 20mm

③①  | × 6 Φ8





PARTS LIST

| KEY NO. | PART DESCRIPTION | SPEC | QTY |
|---------|-----------------------------|----------|-----|
| 1 | Base Frame | | 1 |
| 2 | Rear Stabilizer | | 1 |
| 3 | Rack Liner | 40×60×5 | 1 |
| 4 | Backrest Base Frame | | 1 |
| 5 | Seat Pad Frame | | 1 |
| 6 | Backrest Adjustment Support | | 1 |
| 7 | Seat Support | | 1 |
| 8 | Adjusting Plate | | 2 |
| 9 | Adjusting Plate | | 2 |
| 10 | Seat Pad | | 1 |
| 11 | Backrest Board | | 1 |
| 12 | Axle | | 2 |
| 13 | Wheel | | 2 |
| 14 | Bushing | | 8 |
| 15 | Bracket | 140×50×3 | 1 |
| 16 | Rubber Stopper | | 3 |
| 17 | End Cap | φ19×50 | 2 |
| 18 | End Cap | □40×60 | 2 |
| 19 | End Cap | φ19 | 4 |
| 20 | Hex Bolts | M12×125 | 4 |
| 21 | Hex Bolts | M12×105 | 2 |
| 22 | Hex Bolts | M10×100 | 5 |
| 23 | Hex Bolts | M10×95 | 2 |
| 24 | Hex Bolts | M8×55 | 4 |
| 25 | Hex Bolts | M8×50 | 2 |
| 26 | Hex Bolts | M8×20 | 2 |
| 27 | Allen Bolt | M8×15 | 6 |
| 28 | Allen Bolt | M6×12 | 2 |
| 29 | Washer | 12 | 12 |
| 30 | Washer | 10 | 14 |
| 31 | Washer | 8 | 10 |
| 32 | Nut | M12 | 6 |
| 33 | Nut | M10 | 7 |
| 34 | Nut | M8 | 2 |



GARLANDO SPA
Via Regione Piemonte, 32 - Zona Industriale D1
15068 - Pozzolo Formigaro (AL) - Italy
www.toorx.it - info@toorx.it