

TOORX
PROFESSIONAL LINE

INSTRUCTION



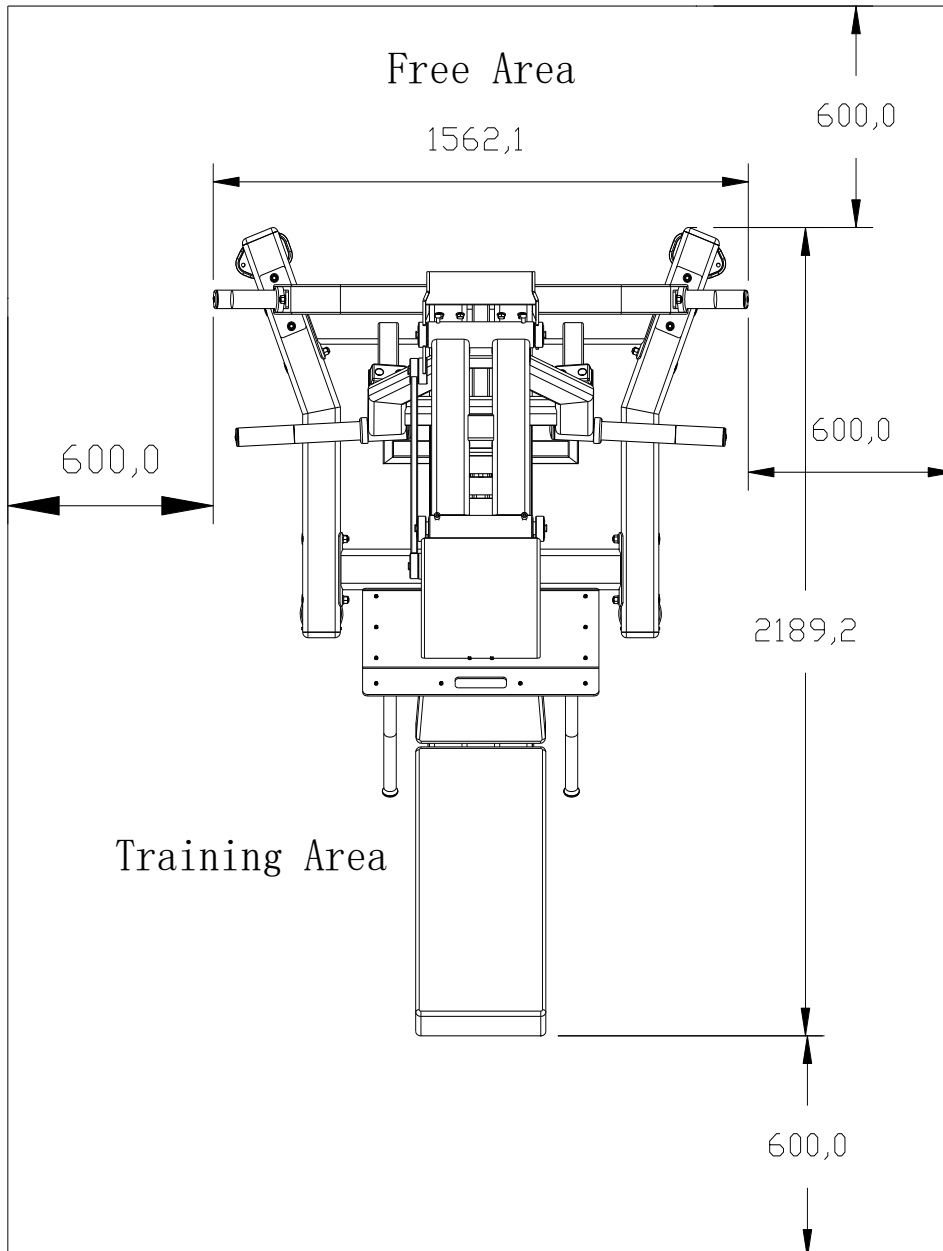
FWX6000



Cod : GRLDTOORXFWX6000

Rev : 00

Ed : 10/19



Class: S

Maximum Wt. Capacity: 240 kg/528 IBS

Maximum User Weight: 135 kg/297 IBS

Product Total Surface: 2071*1485

Product Total Mass: 215 kg/473 IBS

Exploded diagram

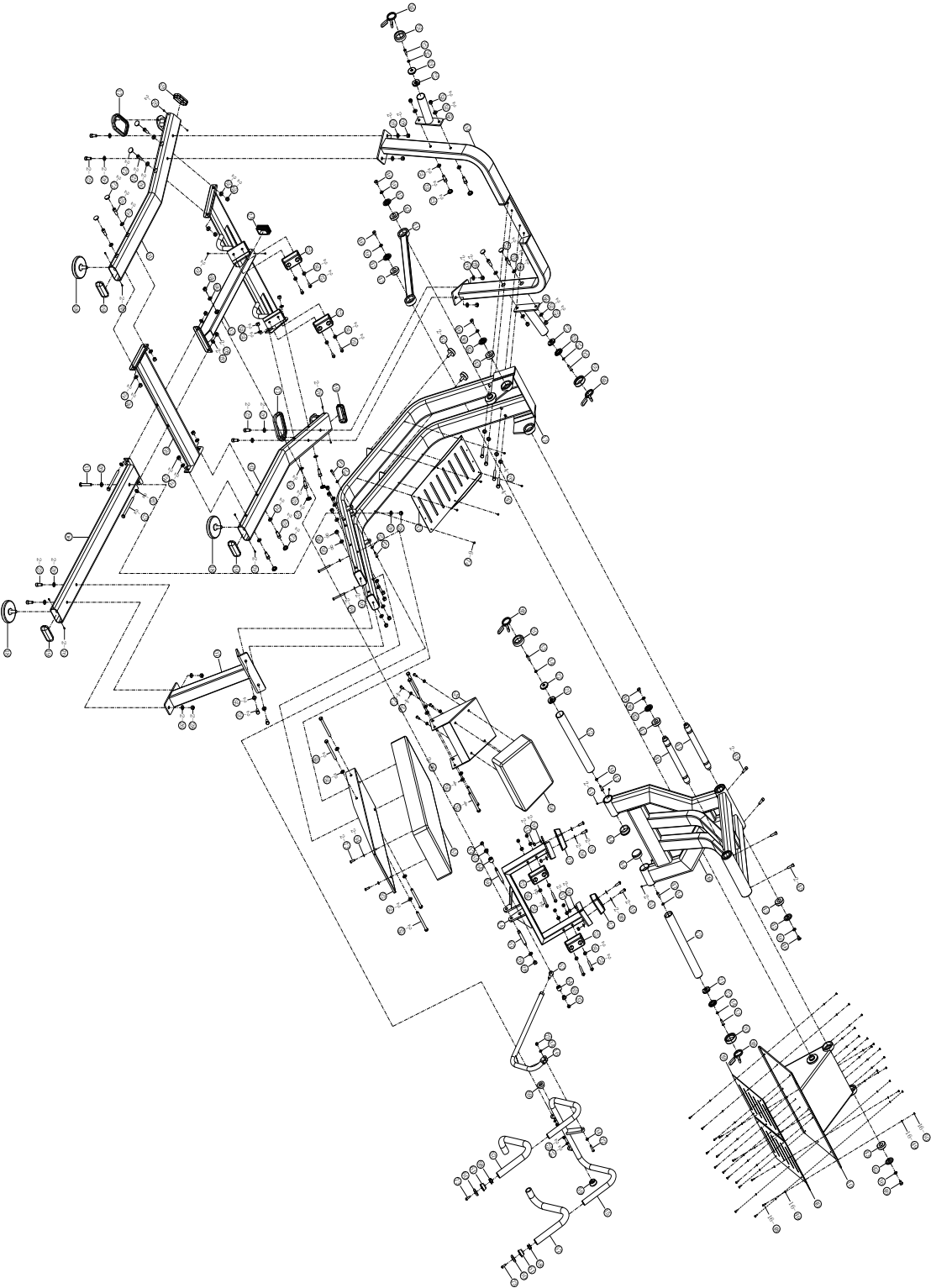
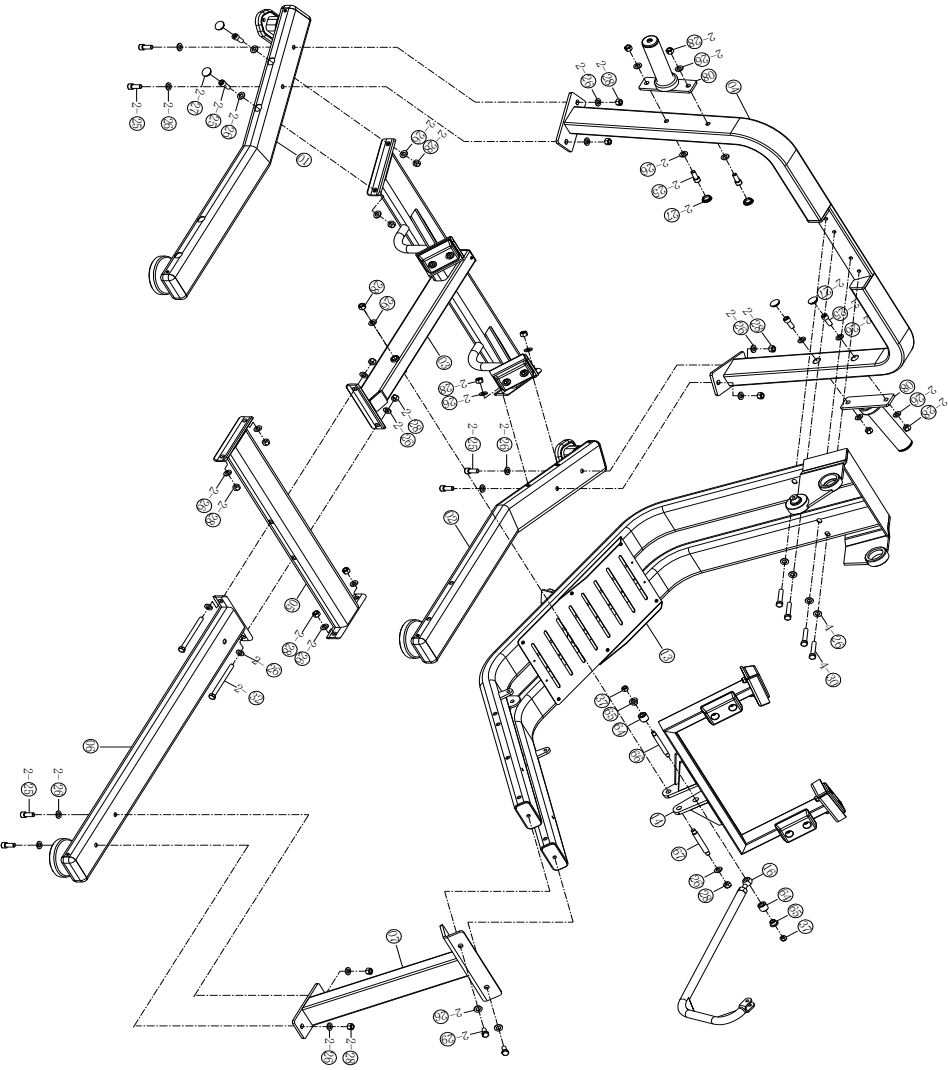


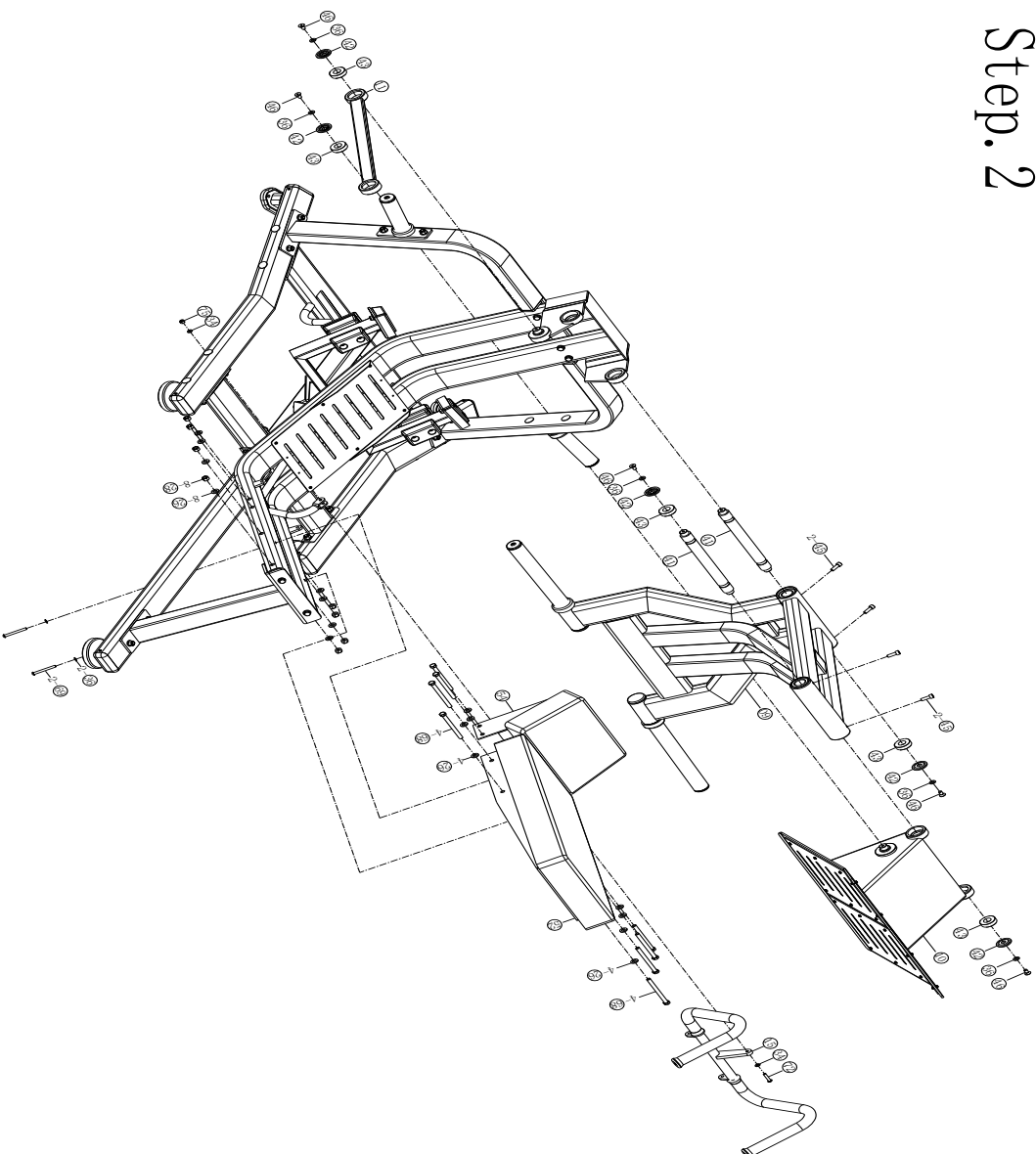
Illustration step

Step. 1



No.	Drawing Number	Name	Qty
01		Left Ground Frame	1
02		Right Ground Frame	1
03		Front Support	1
04		Front Frame	1
05		Horizontal Connection	1
06		Vertical Support	1
07		Front Support	1
08		Plate Loaded & Welding	2
13		Frame	1
14		Swing Frame	1
16		gear frame	1
25		Hexagon & Screw	12
26		Pad	40
27		Stoppie	6
28		Anti loosening	222
30		External six party screw	4
37		Anti loosening	2
64		Nylon	2
65		Bushing	2
66		Stud	1
67		Stud	1

Step. 2



No.	Drawing Number	Name	Qty
09		Arm Group	1
10		Pedal Welding Group	1
11		Connection Welding Group	1
15		Handle Rack	1
26		Pad	16
28		Anti Loosening	8
34		Pad	2
36		Pad	7
42		Axis Cap	5
43		deep groove ball bearing	5
45		Hexagon socket head cap screws	4
46		Hexagon socket countersink head screws	5
52		Plate	1
54		Plate	1
88		Hexagonal screw	8
69		Hexagon socket countersink head screws	2
72		Hexagon socket countersink head screws	2
75		Anti Loosening	1



GARLANDO SPA
Via Regione Piemonte, 32 - Zona Industriale D1
15068 - Pozzolo Formigaro (AL) - Italy
www.toorx.it - info@toorx.it